

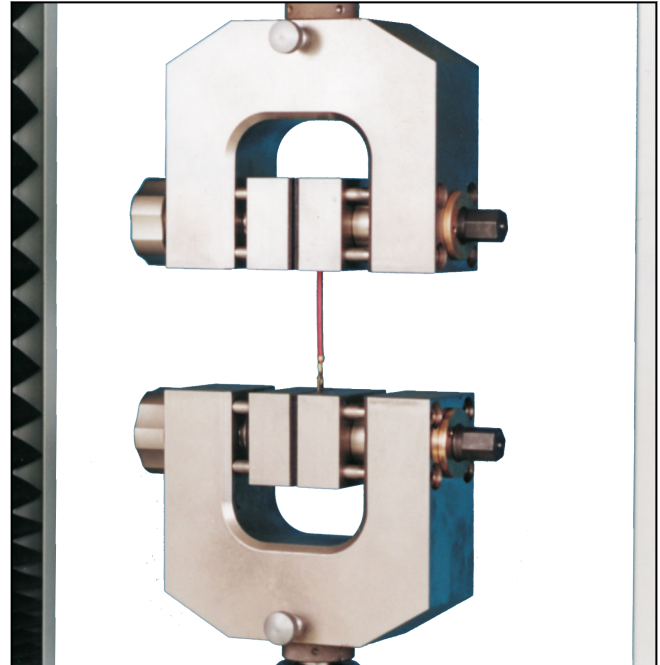
Product Information

Screw grips, Types 8354 PL Fmax 5/10 kN and 8354, Fmax 10kN

CTA: 39443 39444



Screw grips, Type 8354, Fmax 10 kN



Screw grips, Type 8354 PL, Fmax 10 kN

Applications

- Specimen material:
metals, plastics, textiles, wood
- Specimen shape:
round and flat specimens, asymmetrical specimens,
sealed and glued specimens
- Type of loading:
tensile, compression, alternating load

Function description

This screw grip is a one-sided closing specimen grip. A lead screw is used to open and close the grips, as well as apply gripping force before the test.

The opposing jaw of the specimen grip can be adjusted steplessly.

Advantages and features

- Adjustable opposing jaw for fast, easy testing, including joined (asymmetrical) specimens

- The use of ball bearings enables secure gripping of the specimen even at low operating forces.
- Large opening width enables flexibility in use.
- Ergonomic, open design for fast, easy specimen insertion and clamping
- Uniform, parallel closing/gripping via precision 4-column guides ensures specimen is held securely.

Type 8354 screw grips: special features

- No tools required for jaw change; simply slide into grips from side. Jaws are centered and locked into place automatically.
- High temperature resistance (-70 to +250 °C) makes the grips ideal for use in temperature chambers.
- Integrated jaw mountings.

Special features of Type 8354 PL screw grips

- Jaws are already included in the system.

Product Information

Screw grips, Types 8354 PL F_{max} 5/10 kN and 8354, F_{max} 10kN

Technical data

Item No.	320436	320440	318587	
Type	8354 PL ¹⁾	8354 PL ¹⁾	8354	
Test load F _{max}	5	10	10	kN
Dimensions				
Height	125	125	135	mm
Width	225	225	222	mm
Depth	60	60	60	mm
Jaws supplied				
Gripping area				
Height	50	50	-	mm
Width	60	60	-	mm
Surface	Vulkollan, smooth	Steel, pr ²⁾ 0.7	-	
Hardness	95 Shore A	61 HRC	-	
Opening width, max. with jaws	25	25	25 ³⁾	mm
Gripping of the specimen	The specimen must be gripped with at least 3/4 of the jaw height.			
Specimen dimensions				
Flat specimen, thickness	24	24	0 ... 25	mm
Round specimen, Ø		24	0 ... 25	
Weight per specimen grip, approx.	3.8	3.9	7	kg
Connection, stud	Ø 20	Ø 20	Ø 20	mm
Ambient temperature	+10 ... +35	+10 ... +35	-70 ... +250 ⁴⁾	°C
Scope of delivery	1	1	2	piece

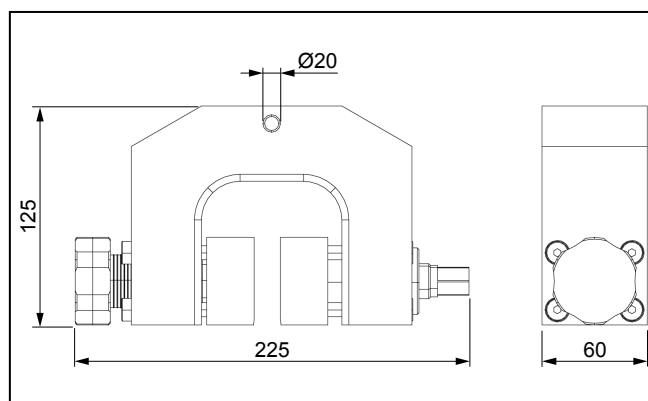
1) PL = ProLine

2) Pr = pyramid grid

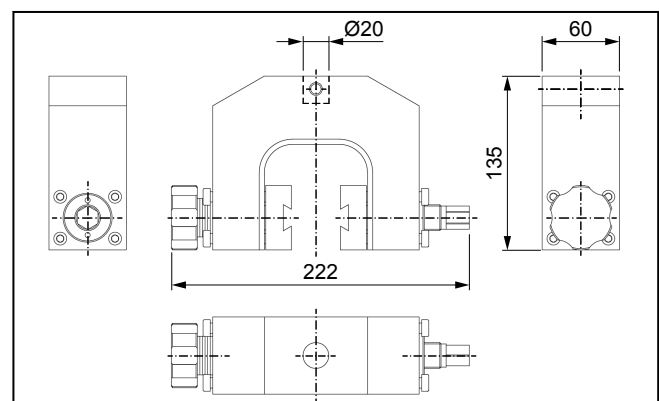
3) This opening width is the result of using jaws with 5 mm jaw strength.

4) The ambient temperature may be limited by a smaller jaw temperature range.

CTA: 39442 39446



Screw grips, Type 8354 PL: general view



Screw grips, Type 8354: general view

Product Information

Screw grips, Types 8354 PL Fmax 5/10 kN and 8354, Fmax 10kN

Accessories required

Jaws required for Type 8354:

Type 8487 jaws